

16 Compression Latches

Self-adjusting · Cam indicator · Knob actuated · Single hole mount

Features

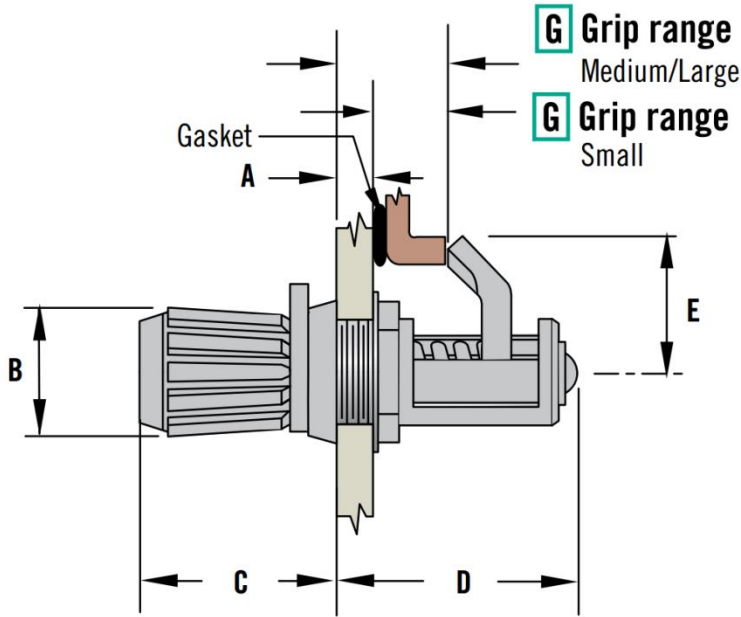
- Three sizes available
- Easy grip adjustment

Material

- Steel, zinc plated

Product Performance

- Working load:
 - Small: 135 N
 - Medium: 220 N
 - Large: 335 N



Size	Grip Range		Part Number
	Min.	Max.	
Small	3.2 (.12)	10.3 (.41)	16-10-511-16
Medium	1.6 (.06)	8.7 (.34)	16-10-411-14
	7.1 (.28)	14.3 (.56)	16-10-412-14
Large	1.6 (.06)	12.7 (.50)	16-10-311-14
	9.5 (.37)	20.6 (.81)	16-10-312-14

Size	A. Max.	B	C	D	E
Small	2.4 (.09)	9.9 (.39)	15.5 (.61)	18.3 (.72)	10 (.40)
Medium	2.4 (.09)	13.5 (.53)	17.3 (.68)	23.4 (.92)	19 (.75)
Large	4.8 (.190)	19 (.75)	21.8 (.86)	32.9 (1.3)	23 (.91)